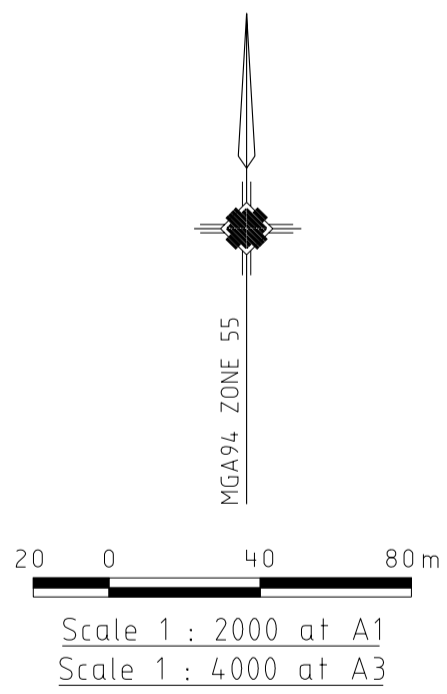


Notes:
 This plan is prepared for conceptual and marketing purposes only.
 This plan is subject to survey, format engineering design and referral authority approval.



DATE	REVISION	DETAILS	AUTHORISED	SCALE:
19/1/10	A	Plan renamed from RN-A to RN-B and Layout updated.	M.N.D.	1 : 2000 at A1
				DATE PRINTED: 19/01/2010
				LEVEL DATA: ---
				LEVEL DATUM: ---
				PROJECT No.: 35086
				DRAWN: C.M.H. DATE: 20/10/09
				DESIGNED: M.N.D. DATE: 20/10/09
				AUTHORISED: M.N.D. DATE: 20/10/09

MORNINGTON
 5 Main Street
 Phone:(03) 5975 4644
 Fax:(03) 5975 3916

MELBOURNE
 The Melbourne Suite 2
 250 St. Kilda Rd
 Phone:(03) 9697 8000
 Fax:(03) 9697 8099



• TOWN PLANNERS
 • CIVIL ENGINEERS
 • SURVEYORS
 • Project Managers
 • Urban Designers
 • Structural Engineers

CITY OF CASEY		PLAN NUMBER
STOCKLAND DEVELOPMENT PTY. LTD. POUND ROAD CRANBOURNE NORTH		35086RN-B
EVE ROAD NAME PLAN		REVISION A
		SHEET 1 OF 1